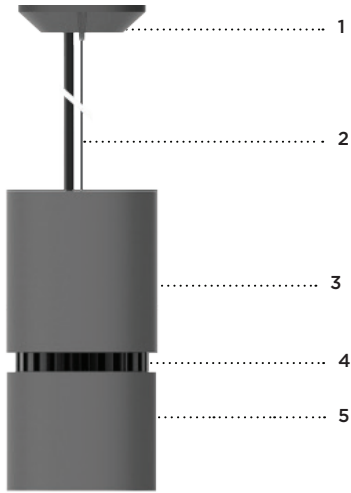


TYPE: _____ QUANTITY: _____ PROJECT: _____

CATALOG NUMBER:

FIXTURE WATTAGE VOLTAGE FINISH OPTION OPTION OPTION



- 1- 5" Diameter (127) canopy with universal mounting plate.
- 2- 36"Lg (914) silver braided power cable with aircraft safety cable.
- 3- Extruded aluminum driver housing.
- 4- LED heat sink.
- 5- Aluminum extruded reflector housing. Multi-facet etched aluminum elliptical 50° reflector.

AR168Q



MATERIALS

Aramis is made of an extruded aluminum housing designed to optimize functionality of the driver and solid state components.

- Standard 36" cable assembly.
- Cast aluminum heat sink to optimize heat management and luminaire efficacy.
- LED array is mechanically secured and easily removable for maintenance or upgrade.
- Aluminum reflector designed to optimize the LED light source performance and uniformity.

MOUNTING

Maximum weight: 5.5lbs (2.5kg)
 Mounts on a standard 4" (102) octagonal electrical box with 3 1/2" (89) C/C mounting holes.

CERTIFICATION

Tested to UL1598 and CSA 22.2 #250. ETL listed damp location. Photometric testing per LM79-2008, LED light source with LM80 certified testing. CE certification on request. Rated IP20.

ELECTRICAL

LED

DRIVER Standard driver is 0-10V dimming-ready (dims to 1%) with: 120-277 multi-volt compatibility (50-60Hz), operating temperature range of -20°C/-4°F to +50°C/122°F, output over voltage protection, output over current protection and output short circuit protection with auto-recovery.

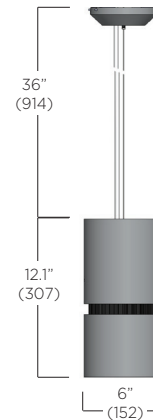
LED 3500K CCT/80 CRI or 4000K CCT/80 CRI.

LIFE

125,000hrs L₇₀B₅₀ (calculated projection from LM-80 data).

FINISH

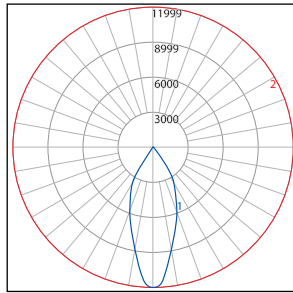
Polyester powder coating is applied through an electrostatic process and oven cured for long term finish.



AR168Q

ARAMIS - LED

TYPICAL PHOTOMETRY SUMMARY




AR168Q-L1L60

Descriptive Information

Total delivered lumens: 6232 Lumens
 Input watts at 120V: 55.7 W
 S/MH = 0.6
 Source: LED
 CCT/CRI: 4000K/80CRI
 Maximum Candela = 11,999 @ 0°H/0°V

Please visit our web site www.luminis.com for complete I.E.S. formatted download data.

LUMINAIRE SELECTION

| MODEL# | LED LIGHT SELECTION | VOLTAGE ¹ | FINISH | | | | | | | | | | | | | | | | | |
|---|--|----------------------|------------------|------------------|-----|--------------------------------|-----|------|----|--------------------------------|-----|------|--------------------------------|-----|------|--------------------------------|-----|------|--|---|
|  <input type="checkbox"/> AR168Q | <table border="1"> <thead> <tr> <th>SUFFIX</th> <th>WATTS</th> <th>DELIVERED LUMENS</th> <th>CRI</th> </tr> </thead> <tbody> <tr> <td><input type="checkbox"/> L1L10</td> <td>11W</td> <td>1241</td> <td rowspan="5">80</td> </tr> <tr> <td><input type="checkbox"/> L1L30</td> <td>29W</td> <td>3011</td> </tr> <tr> <td><input type="checkbox"/> L1L50</td> <td>45W</td> <td>5022</td> </tr> <tr> <td><input type="checkbox"/> L1L60</td> <td>56W</td> <td>6232</td> </tr> </tbody> </table> | SUFFIX | WATTS | DELIVERED LUMENS | CRI | <input type="checkbox"/> L1L10 | 11W | 1241 | 80 | <input type="checkbox"/> L1L30 | 29W | 3011 | <input type="checkbox"/> L1L50 | 45W | 5022 | <input type="checkbox"/> L1L60 | 56W | 6232 | <input type="checkbox"/> 120V <input type="checkbox"/> 277V <input type="checkbox"/> 208V <input type="checkbox"/> 240V | STANDARD COLORS <input type="checkbox"/> WHT Snow white <input type="checkbox"/> BKT Jet black <input type="checkbox"/> BZT Bronze <input type="checkbox"/> MST Matte silver |
| | SUFFIX | WATTS | DELIVERED LUMENS | CRI | | | | | | | | | | | | | | | | |
| | <input type="checkbox"/> L1L10 | 11W | 1241 | 80 | | | | | | | | | | | | | | | | |
| | <input type="checkbox"/> L1L30 | 29W | 3011 | | | | | | | | | | | | | | | | | |
| | <input type="checkbox"/> L1L50 | 45W | 5022 | | | | | | | | | | | | | | | | | |
| <input type="checkbox"/> L1L60 | 56W | 6232 | | | | | | | | | | | | | | | | | | |

OPTIONS

ELECTRICAL

- K35 3500K CCT 80 CRI (Multiplier 0.98)
- K4 4000K CCT 80 CRI

NOTES

1- Luminaires are factory prewired for 120V unless otherwise specified.

